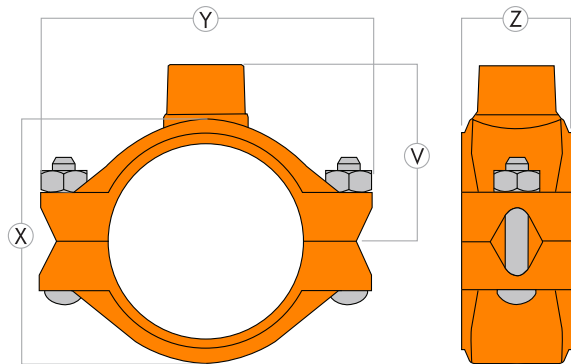


Mechanical Tee M7721



Mechanical tees, sometimes called a saddle tee, allow you to create a mid-pipe branch outlet quickly and easily. A gasket seals on the joined pipe, in the neck of the outlet. The connection is female threaded. These fittings are not recommended for vacuum applications.



Materials

Ductile iron, non-lead orange rust-inhibiting paint coating, ASTM A536, Grade 65-45-12



Nominal Size	Pipe OD	Max. Working Pressure	Dimensions				Bolts		Approx. Weight	Model Number
			V	X	Y	Z	Qty	Size		
in/mm	in/mm		in/mm	in/mm	in/mm	in/mm		in/mm	lb/kg	
4 X 2 101	4.5 114.3	300 PSI	3.9 99	2.6 66	7 177	3.8 96.5	2	5/8 M16	3.2 1.4	M7221X4X2
6 X 2 152	6.625 168.3		5 127	3.6 91.4	9.75 247.6	4 101.6		3/4 M16	6 2.7	M7221X6X2