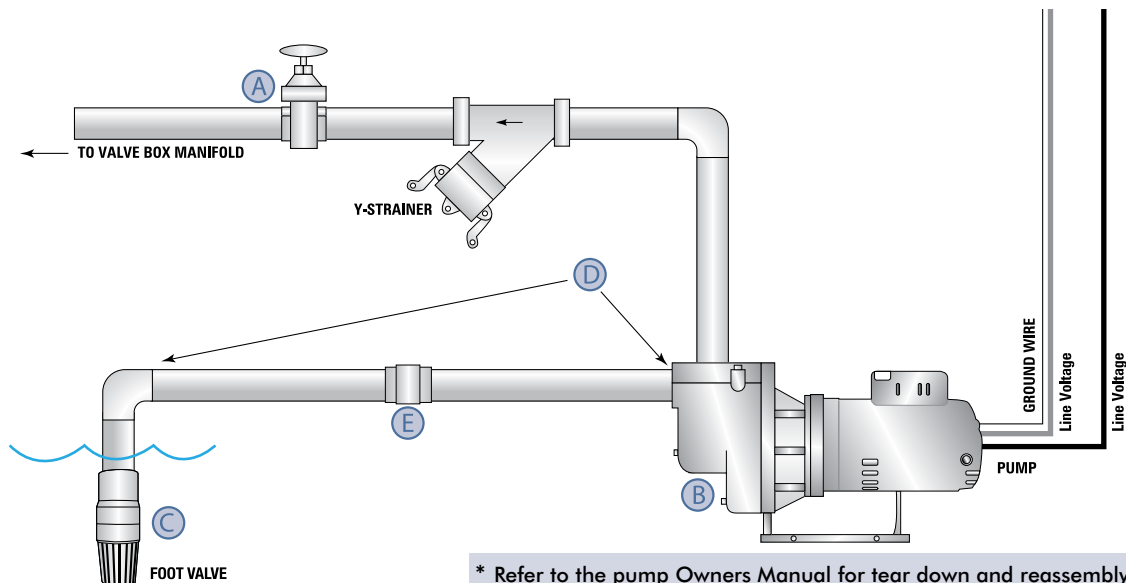
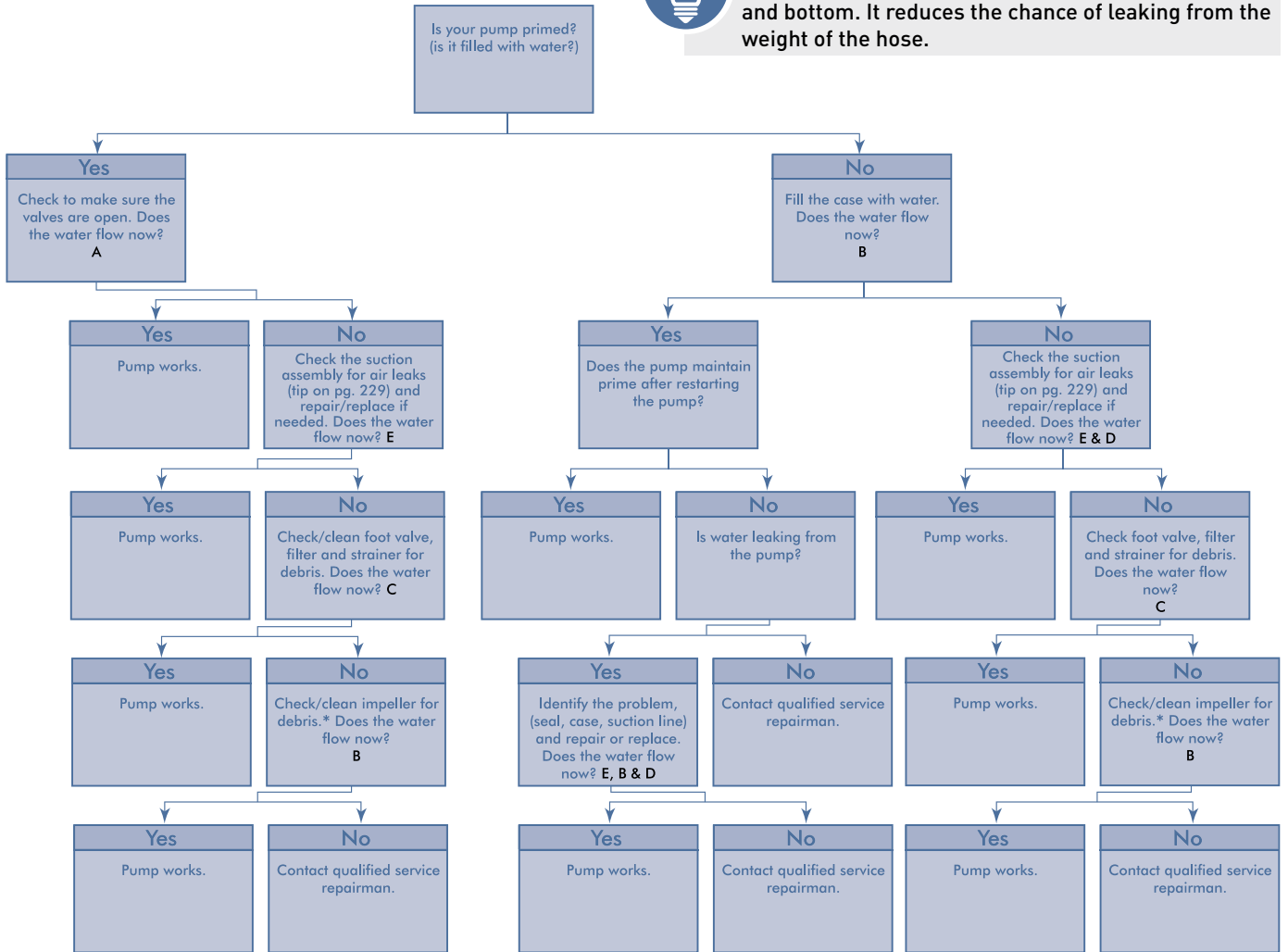


Pump Runs but No Water



Did You Know?

Cam fittings are best used with the handles to the top and bottom. It reduces the chance of leaking from the weight of the hose.



* Refer to the pump Owners Manual for tear down and reassembly instructions.