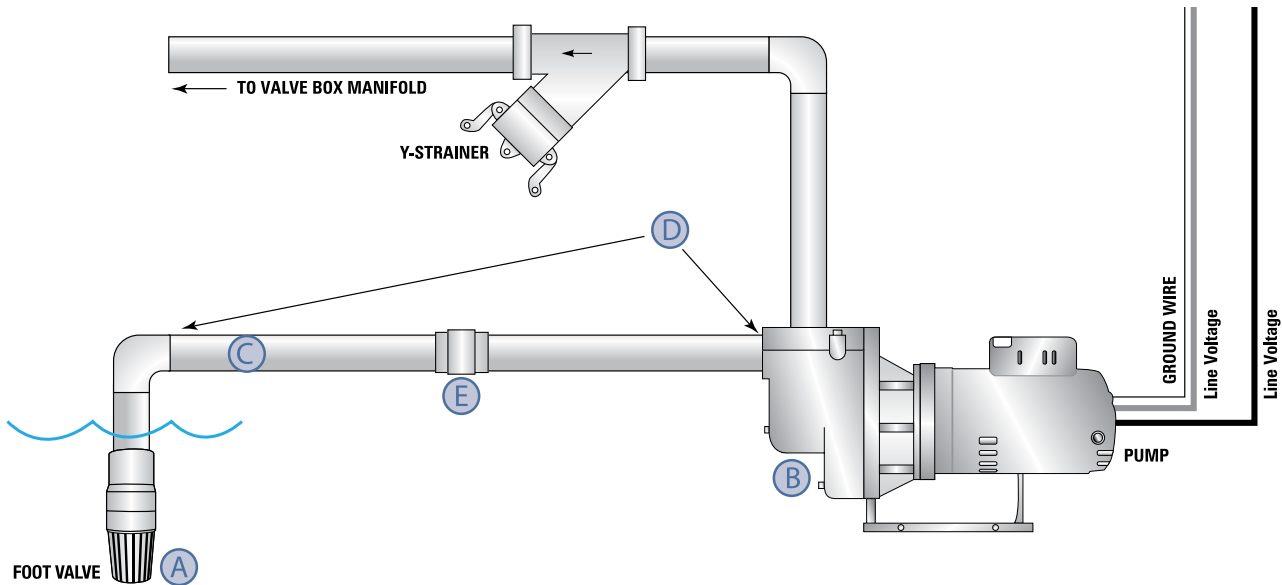
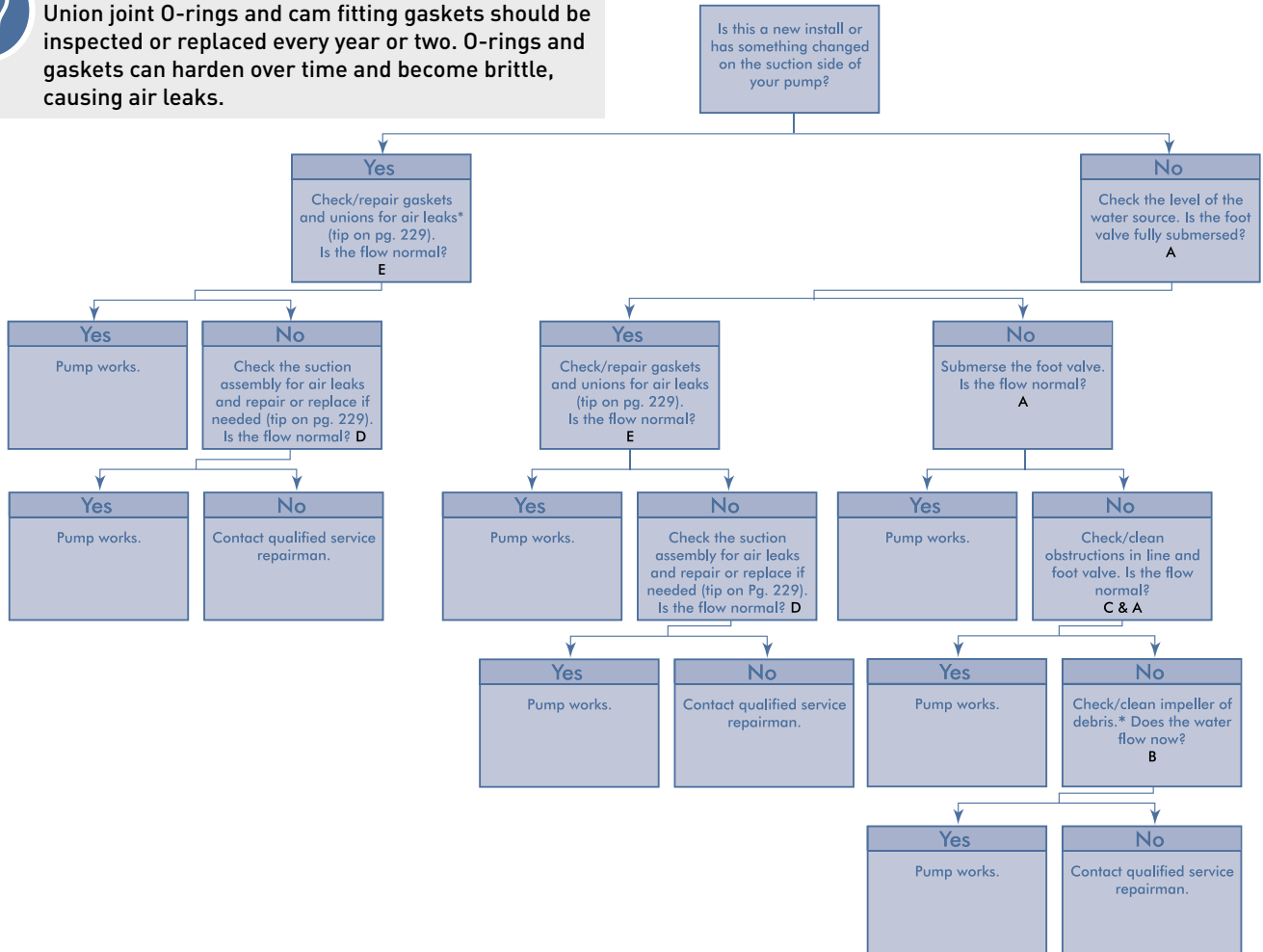


# Pump Surging (Flow Cycles)



## Did You Know?

Union joint O-rings and cam fitting gaskets should be inspected or replaced every year or two. O-rings and gaskets can harden over time and become brittle, causing air leaks.



\* Refer to the pump Owners Manual for tear down and reassembly instructions.