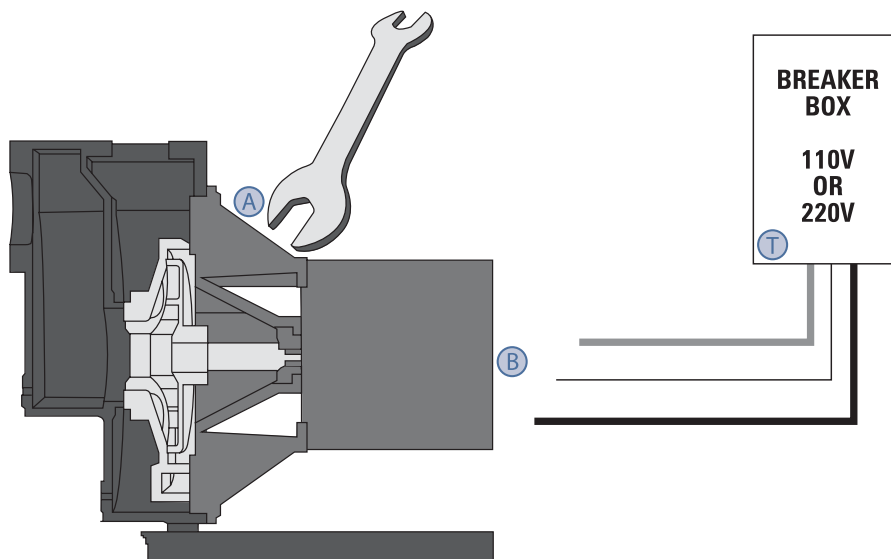
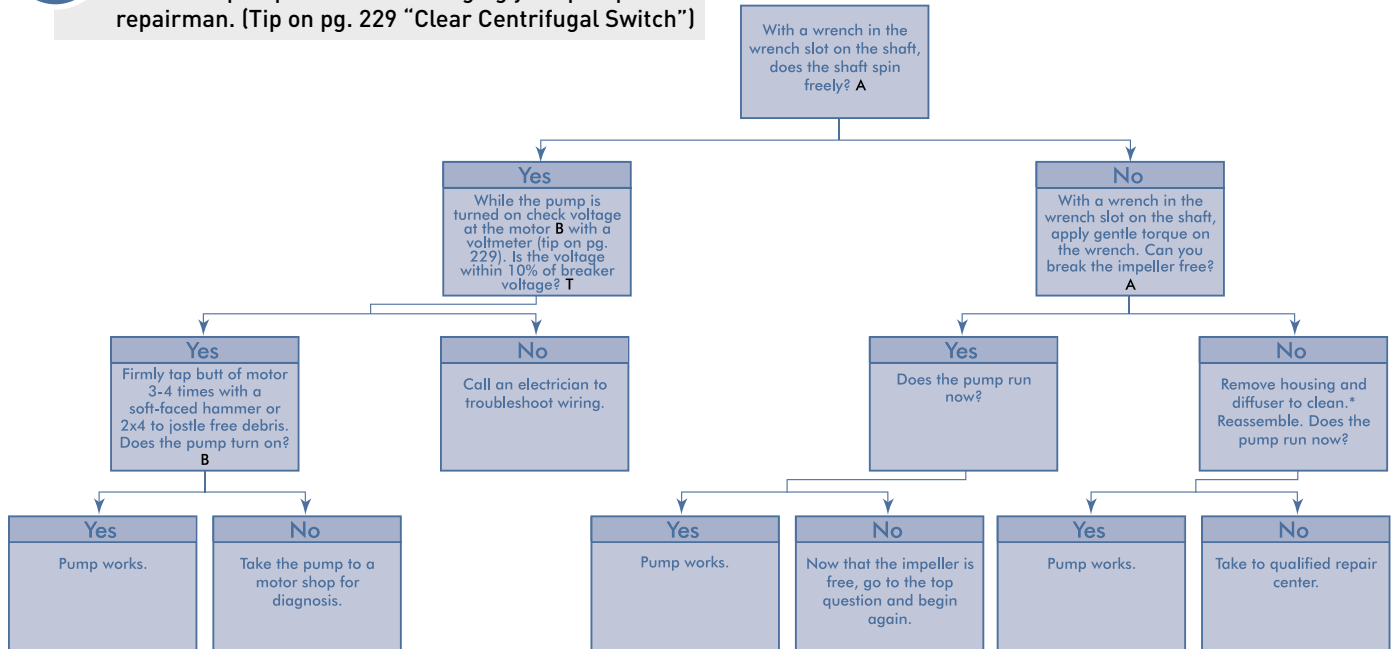


Motor Hums



Did You Know?

To avoid an unnecessary trip, try jostling any debris inside the pump free before bringing your pump to a repairman. (Tip on pg. 229 "Clear Centrifugal Switch")



* Refer to the pump Owners Manual for tear down and reassembly instructions.