

*Unique Solutions For Unique Situations*



*Installation Manual*

*Operation Manual*

# **RP SERIES**

## **THE ULTIMATE WATER FEATURE PUMP- HIGH VOLUME, LOW HEAD**



 **MUNRO**  
PUMP  
A M U N R O C O M P A N Y

# 1. PRIOR TO OPERATION

- A.** Be sure to provide adequate grounding and install the leakage breaker without fail. It is important that the pump be properly grounded and provided with leakage breaker to prevent the users from serious electric shock injury.
- B.** Make sure the voltage of the power supply is identical to the one indicated on the nameplate (label) of the pump. Do not plug into other voltage or phase than what is indicated on the pump nameplate.
- C.** Do not have a “dry-run” in the air, it will damage the pump.

- D.** Do not use the electrical cable to carry the pump. Do not lift or lower the pump by the cable, please carry with pump handle.
- E.** Extension of power cable: If the power cable has to be extended, select the proper cable size within the allowable length. If cable is extended too far, a drop in voltage may occur, which will stop the running of the motor and damage the pump. To prevent any possible accident, do not use the pump in a pond, swimming pool or bath tub if there are people present.



# 2. CARE UNDER OPERATION

- A.** The motor protection device is built-in to shut off the circuit automatically and to prevent the motor from burning out when the motor is over loaded due to the clogging by foreign particles or plug-in to wrong power source (Voltage, Frequency, etc.). Should the pump stop suddenly, check the piping, the pump itself and the connection of electrical cable to the power source. The motor protector automatically trips off in a few seconds if there is any abnormality. Resume the operation after clearing the trouble and leave the pump as is.

- B.** Consult your Munro dealer if you are unable to find the trouble. Unauthorized disassembly or assembly is prohibited as it will probably result in inferiority in performance or damage to the motor.

# 3. CARE AFTER OPERATION

You do not need to take any special care of your pump after operation, however note the following points:

- A.** If freezing temperatures are expected, remove pump from water and store in a dry place.

- B.** If pump is left in the water for a long period of time without running, pump may show signs of rusting and possibly accumulate floating matter which will shorten the life of your pump. In this case, let the pump run in clean water to remove floating matter from inside the pump. Thoroughly dry and store.

# 4. APPLICATIONS

- A.** Open vortex impeller delivers high volume flow.
- B.** The RP Series pumps are ideal for water feature applications.

- C.** 3” and 4” pumps can be fitted with a suction hose to offer amphibious operation.

## 5. TROUBLE-SHOOTING

To prevent serious accidents, disconnect the power supply before inspecting the pump

CONDITIONS OF DISORDER	REASONS	COUNTERMEASURE
<b><i>Pump fails to start.</i></b>	No power is supplied. (Power outage)	Contact power company or an electrical repair shop.
	Open circuit or poor connection of the cabtyre cable.	Check if there is an open circuit in the cabtyre cable or wiring.
	Impeller is obstructed.	Inspect the pump and remove the obstruction.
<b><i>Pump starts but stops immediately, causing the motor protector to actuate.</i></b>	Impeller is obstructed.	Inspect the pump and remove the obstruction.
	Voltage drop.	Correct the voltage to the rated voltage, or use an extension cable that meets the standard.
	A 50 Hz model is operated at 60 Hz.	Check the nameplate and replace the pump or impeller.
	The strainer is obstructed, and the pump was operated dry for a long period.	Remove the obstruction.
	Motor sounds abnormal or will not run.	Repair the motor or replace with a new motor.
	The pump is picking up too much sediment.	Place a concrete block under the pump to prevent pump from picking up sediment.
<b><i>The pump's head and pumping volume is lower.</i></b>	The impeller is worn.	Replace impeller.
	The hose appears to be clogged.	Minimize the number of bends in the hose. (in an area with a large amount of debris, use the pump in a meshed basket.)
	The strainer is obstructed or buried.	Remove the obstruction. Place a concrete block under the pump to prevent pump from picking up sediment.
	The motor rotates in reverse.	Interchange the power supply terminal connection.
<b><i>The pump generates noise or vibration.</i></b>	The bearing of the motor may be damaged.	Replace the bearing. Contact an authorized service center or the dealer where you purchased the equipment.

## 6. AFTER-CARE:

If you can not find out the reason for trouble, please consult an authorized dealer or an authorized service center.

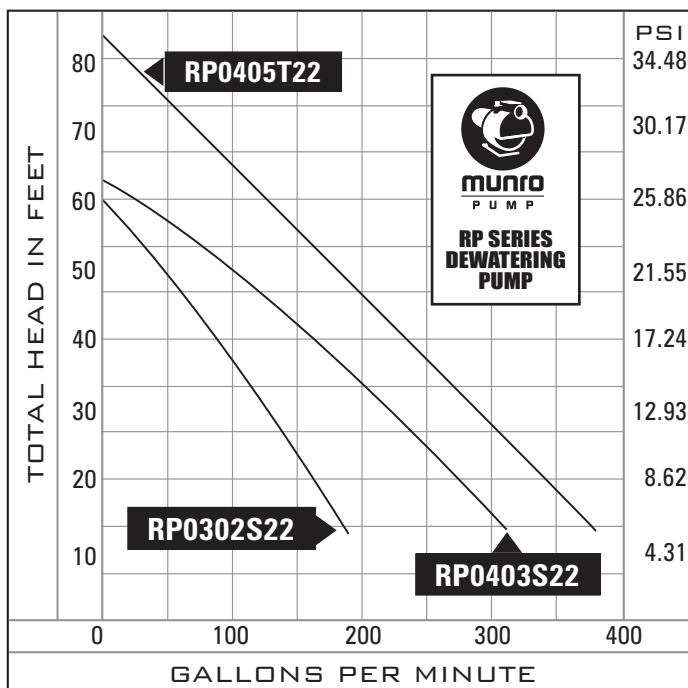
## 7. TECHNICAL SPECIFICATIONS

Approx. Wt. Lbs.	—Dimension— DIA HGT		Best Efficiency Point		Solid Pass	Discharge Inch	Liquid Max	Start Method	Volts	Phase	Amps	Power		Part Number
			Head Ft.	Capacity GPM								HP	KW	
95	9.37"	24.25"	30	132	0.31	3	40° C	CAP	230	1	9.0	2	1.5	RP0302S22
103	9.37"	24.25"	33	212	0.43	4	40° C	CAP	230	1	13.4	3	2.2	RP0403S22
103	9.37"	22.09"	36	264	0.43	4	40° C	DIRECT	230	3	12.8/6.4	5	3.7	RP0405T22

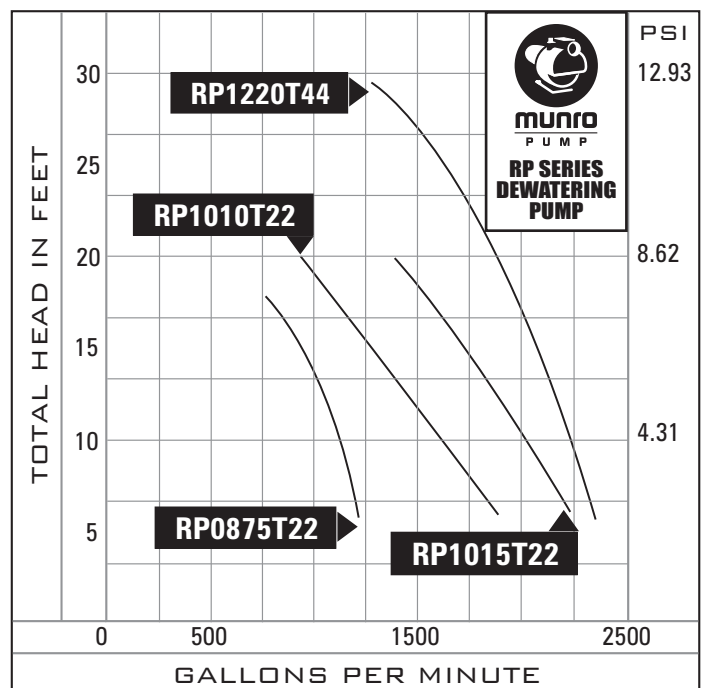
Approx. Wt. Lbs.	—Dimension— DIA HGT		Best Efficiency Point		Solid Pass	Discharge Inch	Liquid Max	Start Method	Volts	Phase	Amps	Power		Part Number
			Head Ft.	Capacity GPM								HP	KW	
268	13.39"	36.34"	13	1058	0.87	8	40° C	DIRECT	230	3	18.3/9.2	7.5	5.5	RP0875T22
361	14.96"	39.96"	13	1455	0.87	10	40° C	DIRECT	230	3	24.3/12.1	10	7.5	RP1010T22
460	16.93"	42.40"	15	1852	0.90	12	40° C	DIRECT	230	3	35.7/17.9	15	11	RP1215T22
485	16.93"	42.52"	20	2116	0.90	12	40° C	DIRECT	230	3	22.6	20	15	RP1220T44

# MUNRO RP SERIES PERFORMANCE CURVES

MODELS RP-0302S22 / 0403S22 / 0405T22

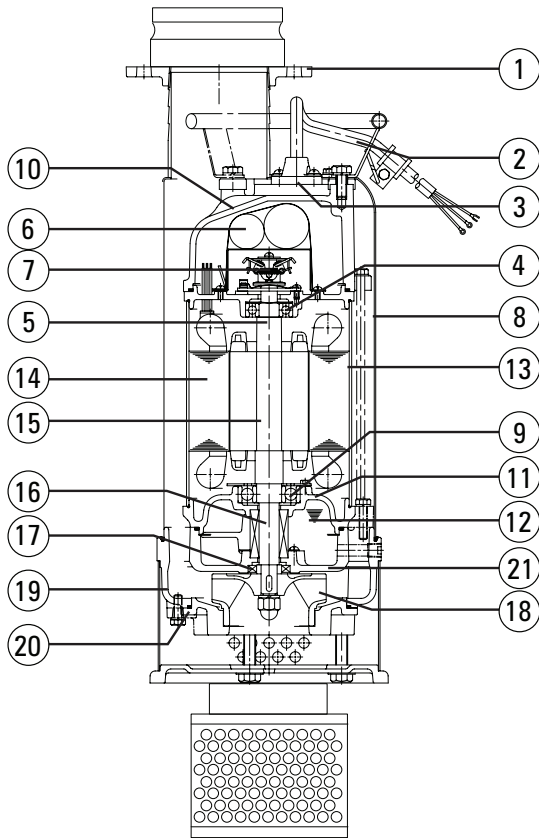


MODELS RP-0875T22 / 1010T22 / 1015T22 / 1220T44

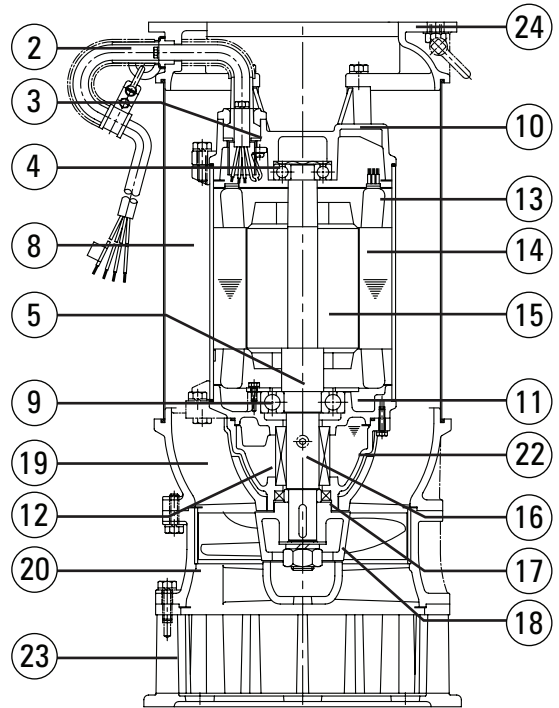


# 8. PARTS BREAKDOWN

## MODELS RP-0302S22 / 0403S22 / 0405T22



## MODELS RP-0875T22 / 1010T22 / 1015T22 / 1220T44

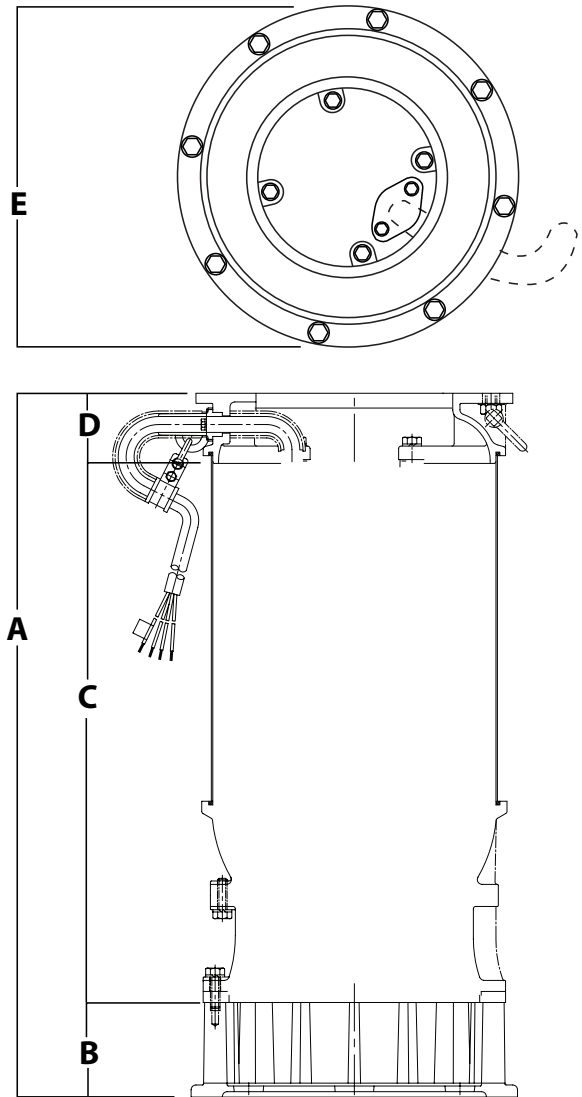
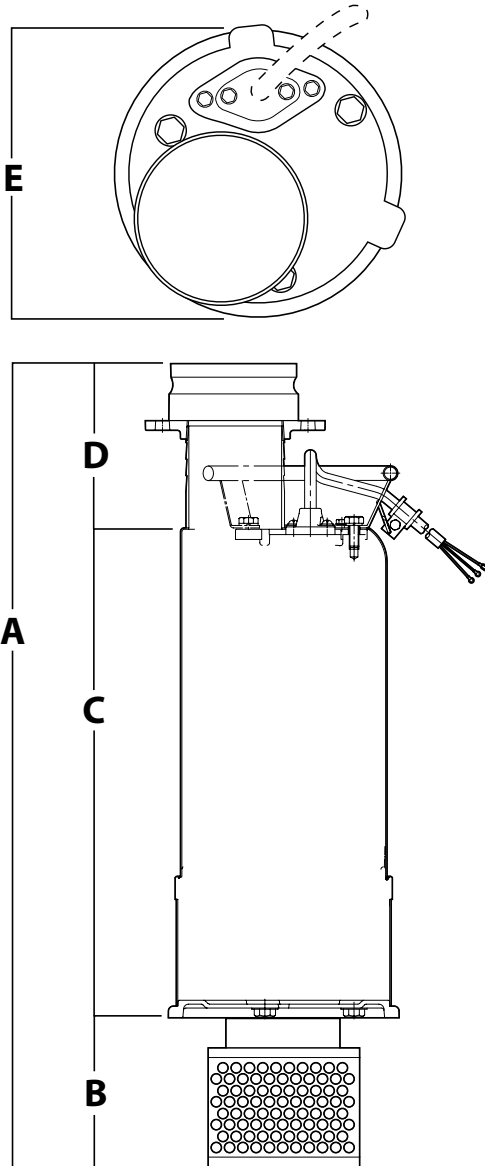


Reference Number	Part Description	MODEL NUMBERS	
		RP-0302S22 RP-0403S22/O405T22	RP-0875T22/1010T22 RP-1215T22/1220T44
1	FLANGE		
2	CABLE	VCT	VCT
3	CABLE BASE		
4	UPPER BEARING		
5	MAIN SHAFT	SUS403	SUS30 (15HP: SUS420J2)
6	CAPACITOR		
7	CENTRIFUGAL SWITCH		
8	OUTTER COVER	SUS304	
9	LOWER BEARING		
10	INTERNAL UPPER COVER	FC-200	BRONZE
11	BEARING BRACKET		
12	LUBRICANT		
13	MOTOR FRAME	SUS304	SUS304
14	STATOR		
15	ROTOR		
16	MECHANICAL SEAL	SIC/SIC	CA/CE
17	OIL SEAL		
18	IMPELLER	BRONZE	BRONZE
19	CASING	FC-200	FC-200
20	CASING COVER		
21	MECHANICAL SHAFT BRACKET		
22	MECHANICAL SHAFT CHAMBER		
23	BASE STAND		
24	OUTTER UPPER COVER		

# 9. DIMENSIONS

**MODELS RP-0302S22 / 0403S22 / 0405T22**

**MODELS RP-0875T22 / 1010T22 / 1015T22 / 1220T44**



Type	A in In.	B in In.	C in In.	D in In.	E in In.
RP0302S22	32	6.5	19.5	6	8.5
RP0403S22	32	7	19	6	8.5
RP0405T22	30.5	4.5	19.5	6.5	8.5
RP0875T22	40	4.5	27	8.5	13.5
RP1010T11	43.5	8.5	26.5	8.5	14.5
RP1215T22	36.5	4.5	25.5	6.5	10.5
RP1220T44	43.5	8	26	9	17.5

Unique Solutions For Unique Situations



Installation Manual

Operation Manual

*For more information or details  
on this or any other product, contact your  
Munro Pump Sales Representative today!*

GRAND JUNCTION, COLORADO 81501

**800-942-4270**

**FAX: 970-263-2277**

**OR VISIT US ON THE WORLD WIDE WEB:**



*Online*

[www.munropump.com](http://www.munropump.com)  
[MPI@munrocompanies.com](mailto:MPI@munrocompanies.com)

